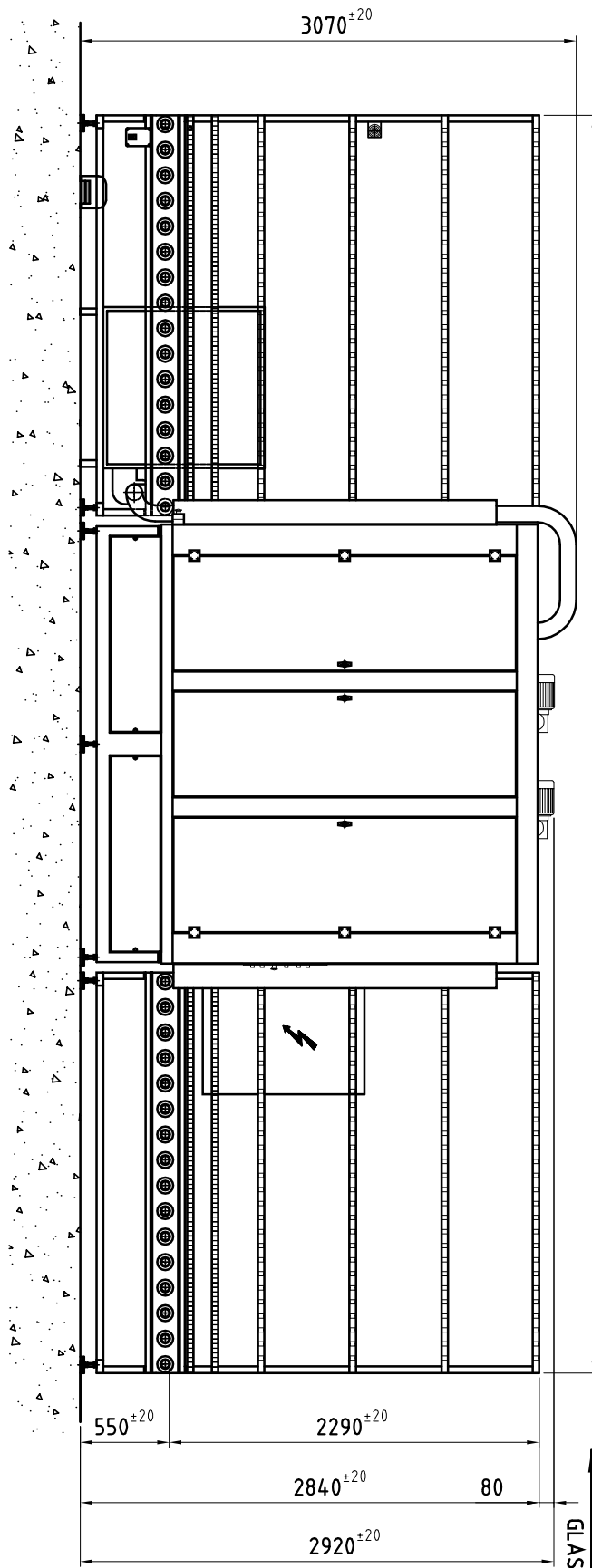
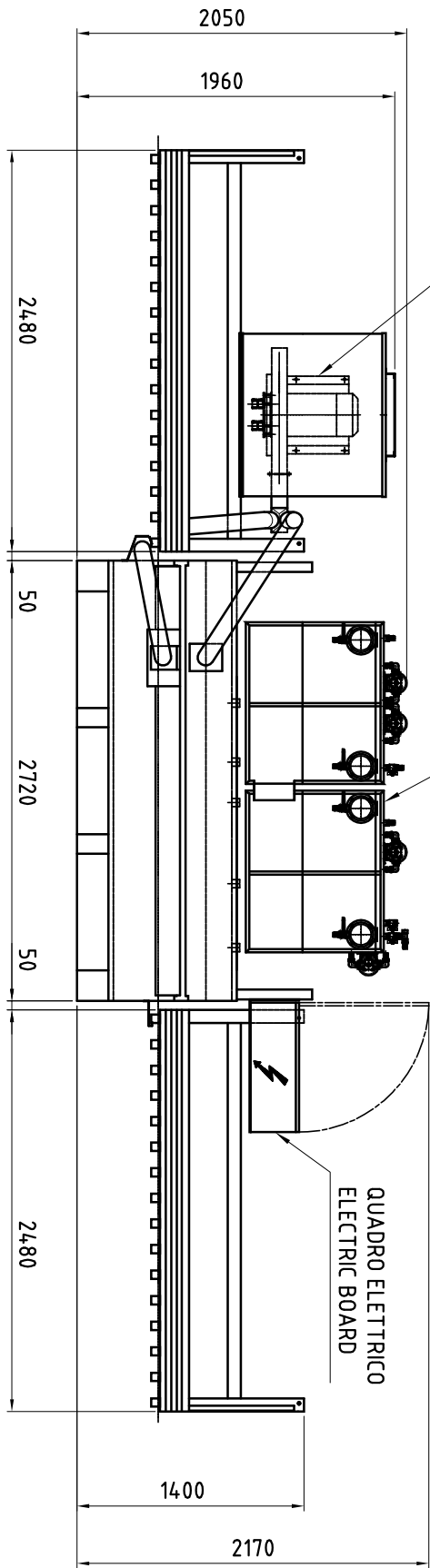
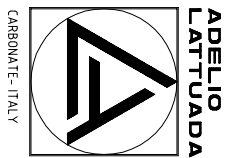


OT 2000/500/6S



7780^{±50}

INSERIMENTO VETRO
GLASS INLET